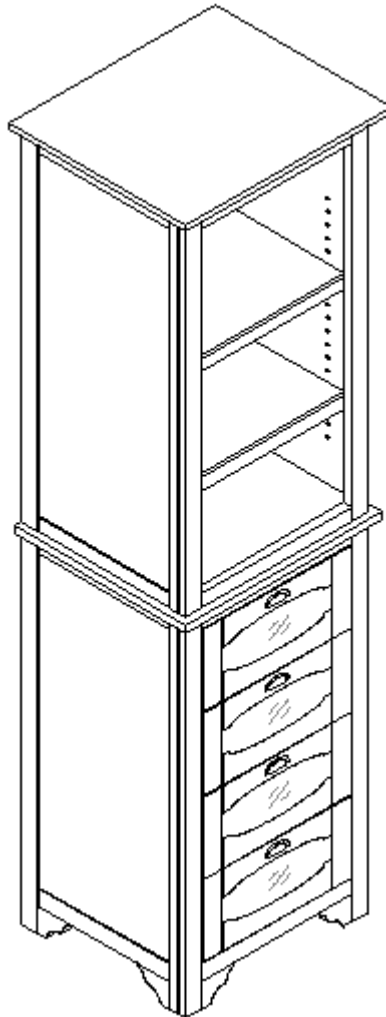


NANTUCKET COMPLETE CLOSET



“ADULT ASSEMBLY REQUIRED DUE TO THE PRESENCE OF SMALL PARTS, SHARP POINTS, SHARP EDGES”

**If you have any questions regarding assembly or if you are missing parts, do not return this item to
Costco Wholesale Club**

**Please call our customer service number and have your instructions and parts list ready to provide the model name,
part name or factory number:**

1-800-765-5867

Pacific Standard Time: 8:30 am - 4:30 pm



Organize your life.

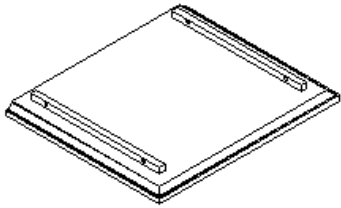
Whalen Storage Mfg. Inc

Factory # 6

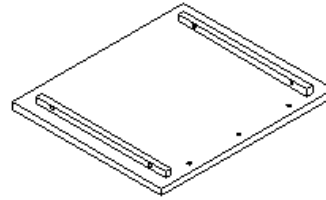
Page# 1

Parts List

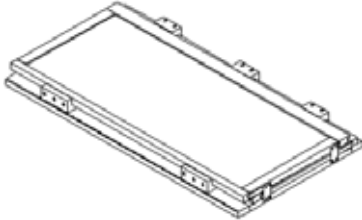
Please read completely through the instructions and verify that all parts listed are present before beginning assembly.



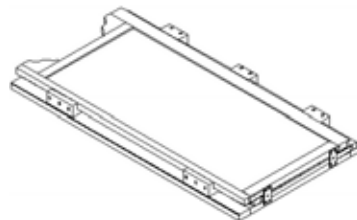
A-Hutch Top (1)



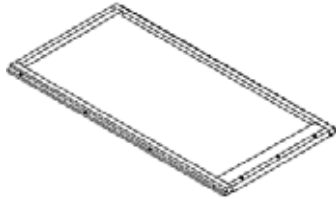
B- Base Top (1)



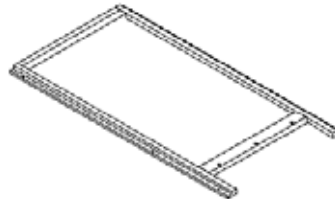
C- Hutch Frame Assembly (1)



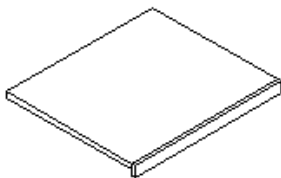
D- Base Frame Assembly (1)



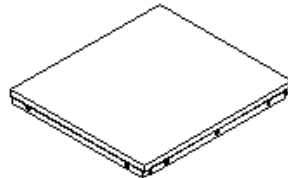
E-Hutch Back Panel (1)



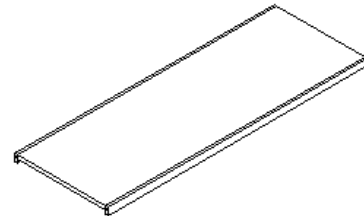
F-Base Back Panel (1)



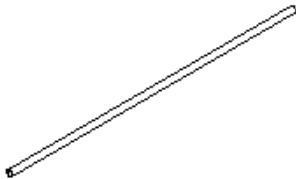
G-Small Adjustable Shelf (2)



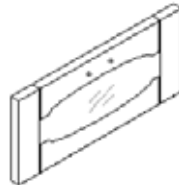
H-Bottom Panel (2)



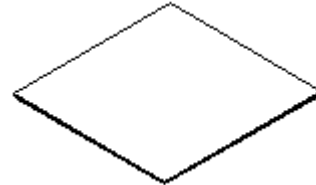
I-Large Adjustable Shelf (1)



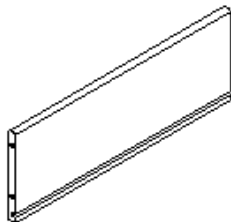
J- Hang Pole (3)



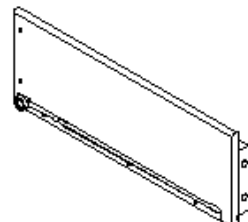
K1- Drawer Front Panel (4)



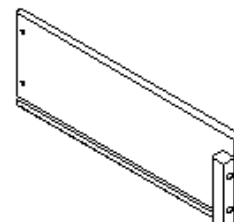
K2- Drawer Bottom Panel (4)



K3- Drawer Back Panel (4)



K4- Drawer Left Side Panel (4)



K5- Drawer Right Side Panel (4)

Please call for replacement parts or assistance: [1-800-765-5867](tel:1-800-765-5867)

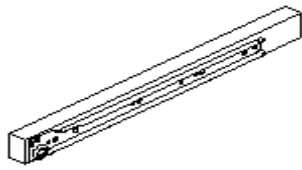
Whalen Storage Mfg. Inc

Factory # 6

Page# 2

Parts List

Please read completely through the instructions and verify that all parts listed are present before beginning assembly.



L1- Left Slide Support (4)



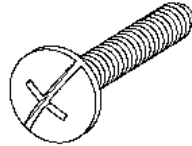
L2- Right Slide Support (4)



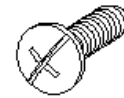
M- 1 1/4" Bolt
(40+2 extra)



M1- 1" Small Bolt
(16+1 extra)



M2- 1" Bolt
(16+1 extra)



M3- 1/2" Small Bolt
(8+1 extra)



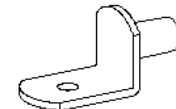
N- Flat Washer
(56+2 extra)
extra)



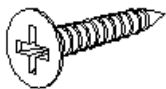
N1- Small Flat Washer
(24+1 extra)



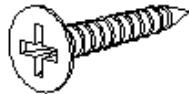
N2- Lock Washer
(24+1 extra)



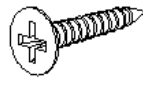
O- Shelf Pin
(8+1)



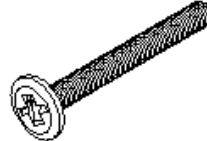
P- 8x 1/2" Screw
(18+1 extra)



P1- 1 1/2" Screw
(10+1 extra)



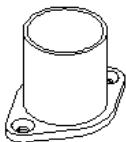
P2- 3x 1/2" Screw
(16+1 extra)



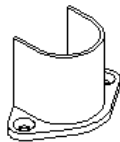
Q- 1 1/2" Bolt
(16+1 extra)



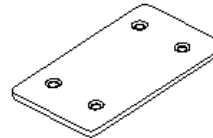
R- Barrel Nuts
(16+1 extra)



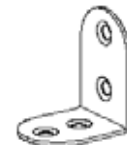
S- Male Pole Support (3)



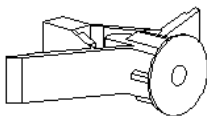
S1- Female Pole Support (3)



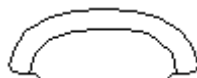
T- Metal Bracket (2)



U- "L" Bracket (4)



V- Drywall Anchor
(1)
(10+1 extra)



W- Handle (4)



Tipping Restraint Hardware Kit

(Included in white plastic bag)

Please call for replacement parts or assistance: 1-800-765-5867

Whalen Storage Mfg. Inc

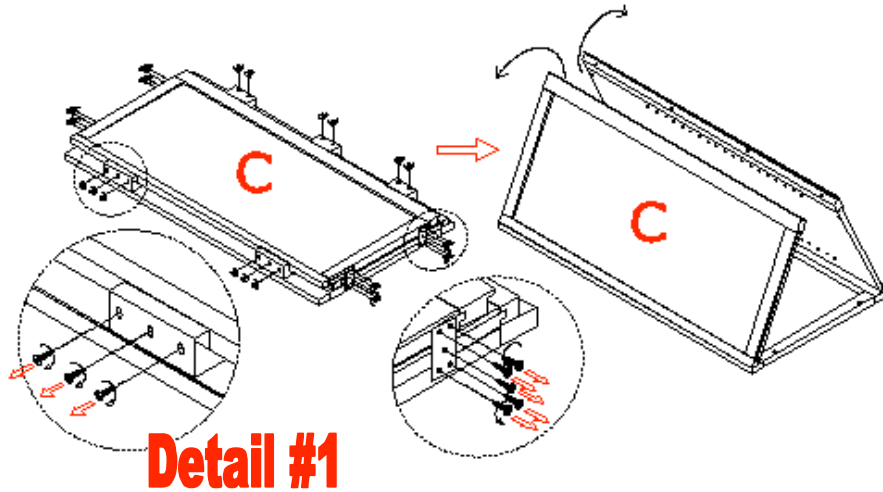
Factory # 6

Page# 3

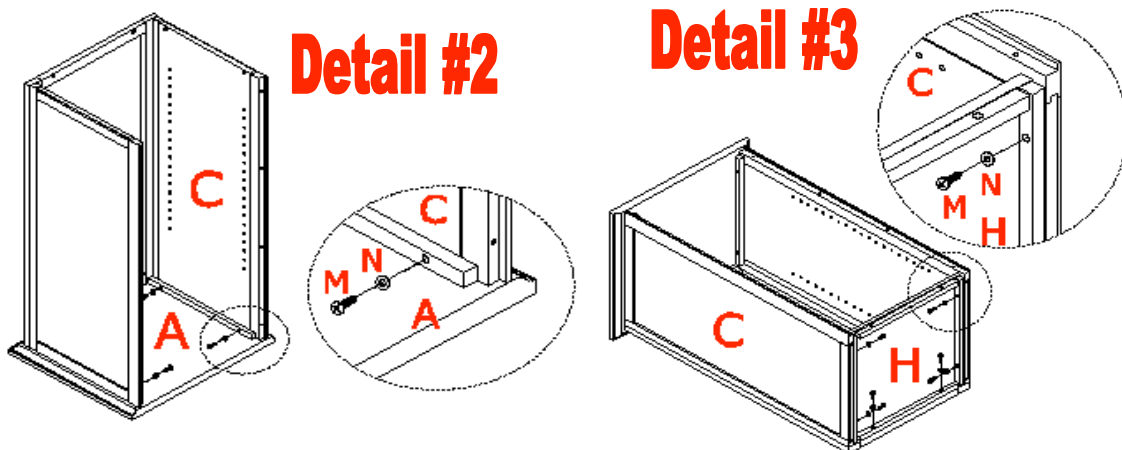
Tools Required: Phillips Screwdriver, Mallet, Power Drill, 3/8" & 3/16" Drill Bit, 1/2" Masonry bit for brick concrete, Stud Sensor.

Hutch Assembly

1. First you need to unpack the unit carefully and confirm that you have all hardware and parts required.
2. Pick up the Hutch Frame Assembly (part C) and unscrew the pre-attached Wood Blocks and Metal Brackets before unfolding the assembly. See detail # 1.
Note: the Wood Blocks and Metal Brackets are only for shipping purposes; you can discard them.



3. Locate the Hutch Top (part A) on a scratch free surface; then place the unfolded Hutch Frame on it and tighten with the 1 1/4" Bolts (part M) through the Flat Washers (part N) through the cleat of Hutch Top into the threaded insert of Side Panel. See detail #2. Note: follow arrows to position the frame on the Hutch Top.



4. Now place the Frame (as show above on detail #13) and attach the Bottom Panel (part H) with the 1 1/4" Bolts (part M) through the Flat Washers (part N)

Please call for replacement parts or assistance: 1-800-765-5867

Whalen Storage Mfg. Inc

Factory # 6

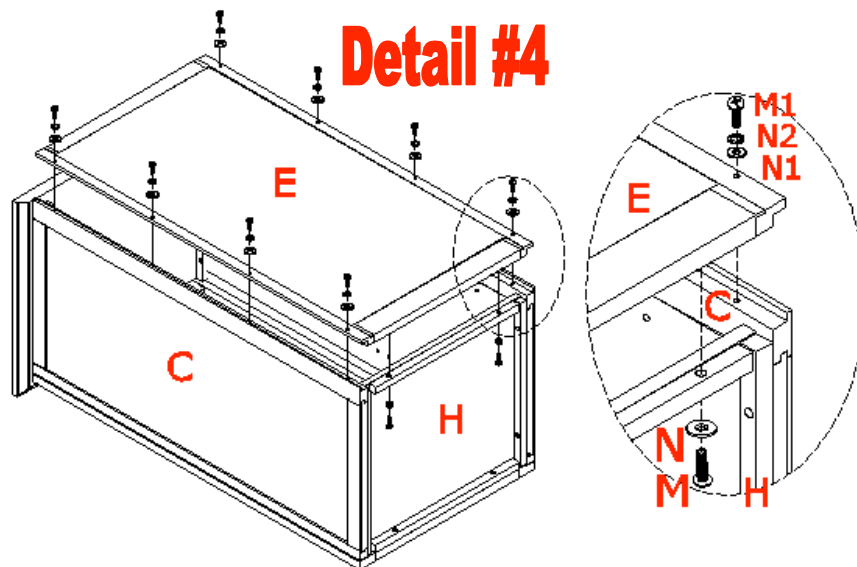
Page# 4

through the pre-attached cleat into the threaded insert of the Hutch Frame Assembly (part C), a total of six. As shown in detail #3.

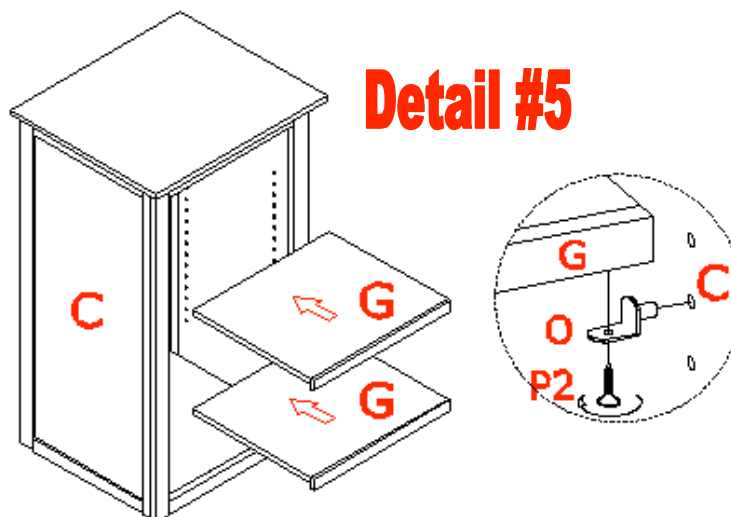
Hutch Assembly

5. Proceed to attach the Hutch Back Panel (part E) to the frame by inserting eight 1" Small Bolts (part M1) through the Small Lock Washer (part N2) and Flat Washers (part N1) through the pre-drilled hole into the threaded insert of the Hutch Frame Assembly (part C). As shown in detail #4.
6. Secure the Hutch Back Panel (part E) with two 1 1/4" Bolts (part M) through the Flat Washers (part N) through the cleat of the Bottom Panel (part H) into the threaded insert of the Hutch Back Panel. See detail #4.

Note: Make sure all the parts are tight and there are no gaps between the parts, this will help keep the unit square.



7. Stand the unit upright and install the Small Adjustable Shelves (part G) at your desired height with the Shelf Pins (part O), secure with #3 x 1/2" Screw (part P2), as shown in detail # 5.



Please call for replacement parts or assistance. 1-800-733-5867

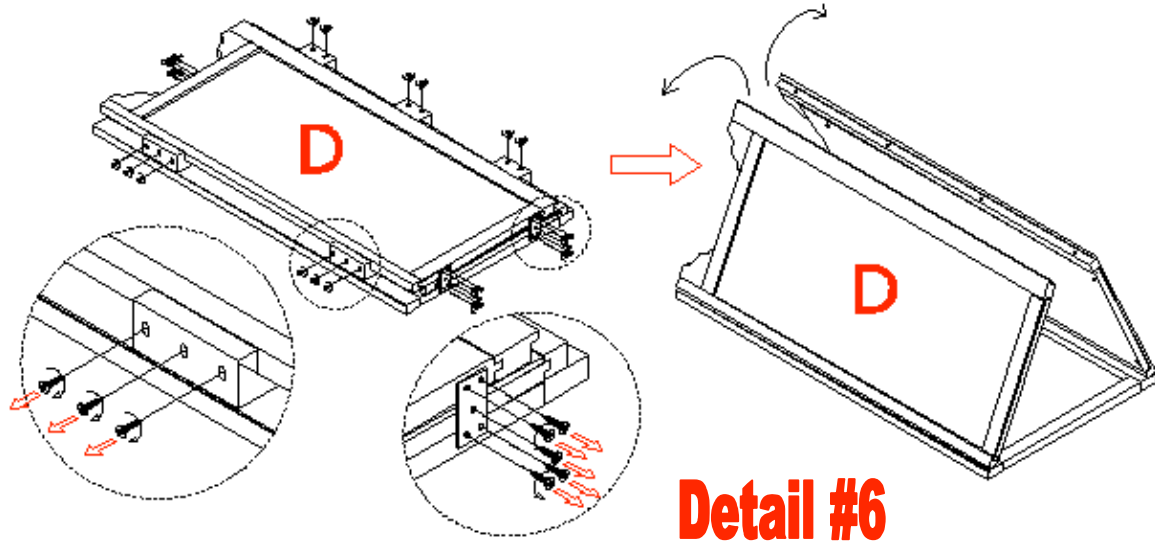
Whalen Storage Mfg. Inc

Factory # 6

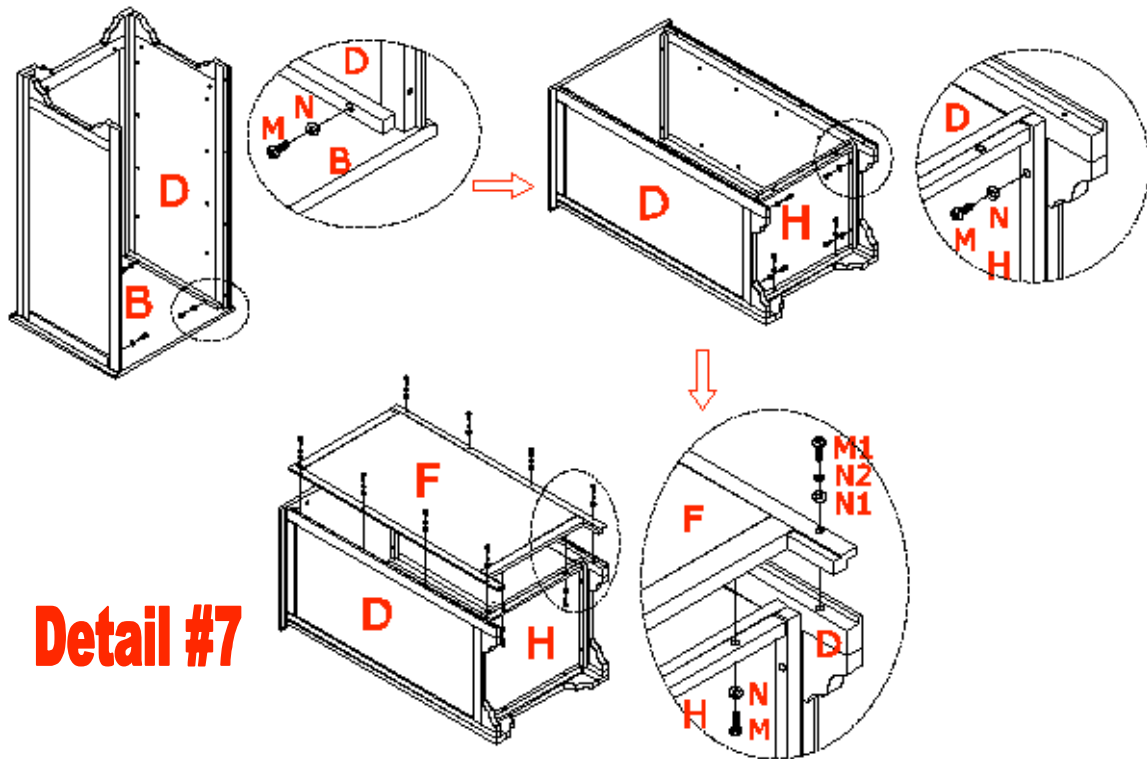
Page# 5

Base Assembly

8. Pick up the Base Frame Assembly (part D) and unscrew the pre-attached Wood Blocks and Metal Brackets before unfolding the assembly. See detail # 6.



9. In the same manner, repeat step 3 through 6 to assemble the Base, as shown in detail #7.



Please call for replacement parts or assistance: 1-800-765-5867

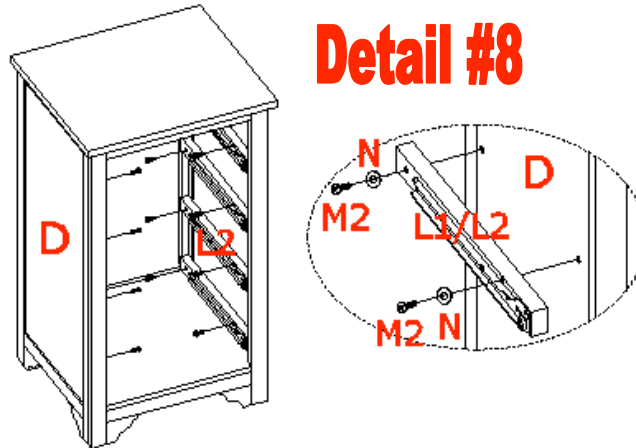
Whalen Storage Mfg. Inc

Factory # 6

Page# 6

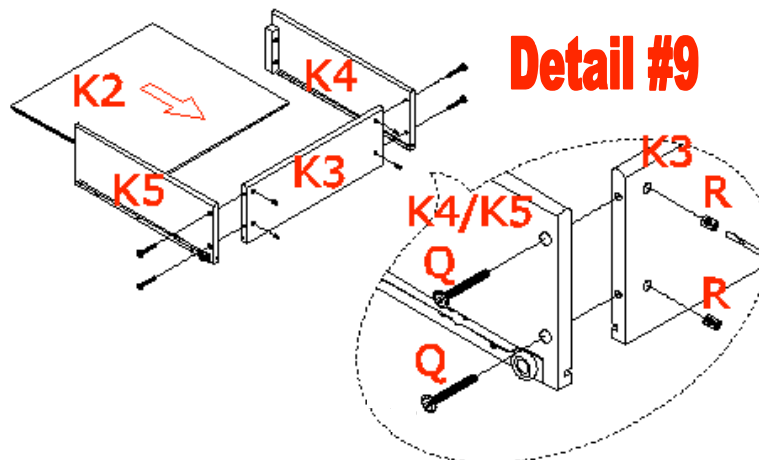
Base Assembly

- Stand the assembled Base Frame upright and install the Left and Right Slide Supports (part L1 & L2) inside the unit with the 1" Bolts (part M2) with flat Washer (part N), as shown in detail # 8.



Assembly of the Drawers

- Insert two Barrel Nuts (part R) into each end of the Drawer Back Panel (part K3). Be sure that the long slot on the Barrel Nut is facing out and that the long groove is parallel to the panel towards the end of the back panel, As shown in detail #9.
- Bolt the Drawer Back Panel (part K3) to the Drawer Left and Right Side Panel (part K4 & K5); by inserting two 1 1/2" Bolts (part Q) through the holes in the Drawer Side Panel into the Barrel Nut (part R) in the Drawer Back Panel. As shown in detail # 9.
- Insert the Drawer Bottom Panel (part K2) in place as shown in detail #10. Make sure that the Drawer Bottom Panel sits and goes all the way into the grooves on the Drawer Left and Right Side Panel (part K4 & K5).



Please call for replacement parts or assistance: 1-800-765-5867

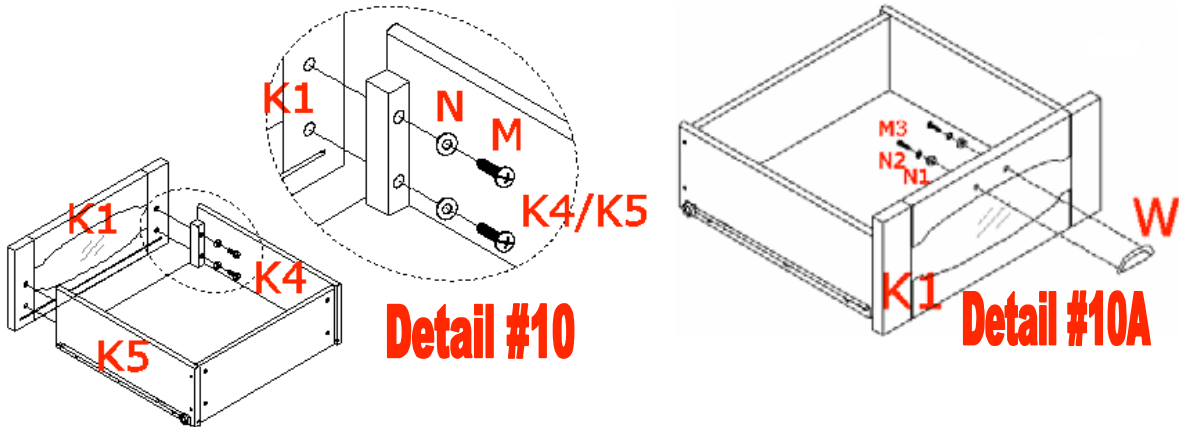
Whalen Storage Mfg. Inc

Factory # 6

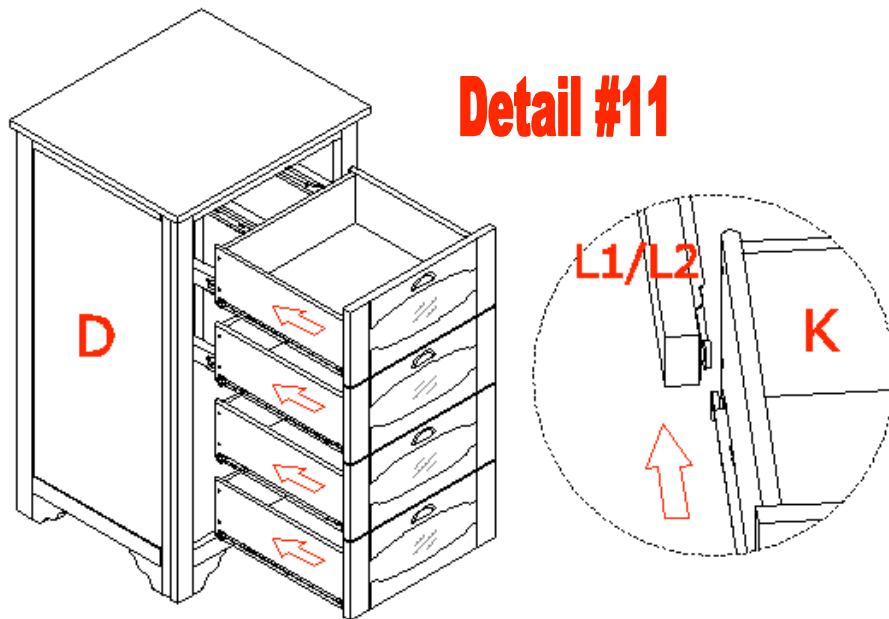
Page# 7

Assembly Instructions

- Now attach the Drawer Front Panel (part K1) with four 1 1/4" Bolts (part M) through the Flat Washers (part N) through the cleat of the Drawer Left and Right Side Panel into the threaded insert of the Base Frame Assembly (part D), As shown in detail #10.
- Attach the Handle (part W) to the outside of the Drawer Front Panel (part K1) with two 1/2" Small Bolts, Small Lock Washers and Flat Washers (M3, N2 & N1), as shown in detail #10A.



- Repeat the procedure for other three drawers.
- Slide the assembled Drawer into the Slide Supports properly. See detail # 11.



Please call for replacement parts or assistance: 1-800-765-5867

Whalen Storage Mfg. Inc

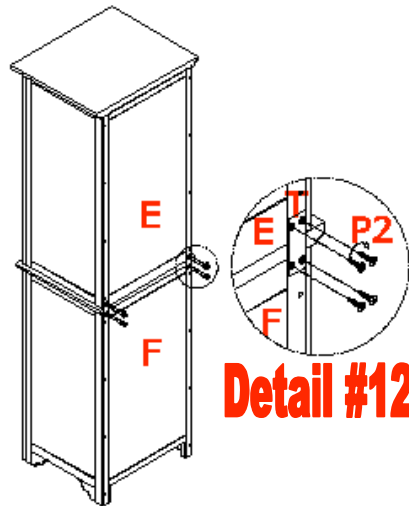
Factory # 6

Page# 8

Assembly Instructions

18. With the help of your friends place the assembled Hutch on top of the Base. See detail #12. **Note: Be careful when placing the Hutch on top of the Base so that you will not scratch the top surface.**

19. To prevent the Hutch from falling over, attach the Metal Bracket (part T) with the 3 x 1/2" Screws (part P2) at the back of unit, as shown in detail #12.



20. Stand the assembled Closet against the wall and leave the desired space to the other wall to set your Large Adjustable Shelf (part I) in position. As shown in detail #13.

Note: The Wall side poles and Shelf brackets should hit studs in your wall or you should use the included wall anchors, failure to do so will result on a weakened installation. Also place the center of the rod at least 10 1/2" from the back wall, so that the coat hangers will fit.

21. Attach two "L" Brackets (part U) at your desired height on the out side of the Closet using the 1/2" Screws (part P). At the same level on the wall attach the other two "L" brackets, using the 1 1/2" Screws (part P1). **Note: Make sure they are in the same level and depending on the type of wall you have, we provide Dry-Wall (part V) to assist you on the properly attachment to the wall, so it can support the weight on the Shelf, as shown in detail #13. When using the anchors drill the holes with the drill bit to at least 3/4" in depth, then insert the anchors into each of the holes; make sure that the anchors is seated completely flush with the surface of the wall.**

22. Place the Large Adjustable Shelf (part I) on top of the "L" Brackets attached in last step and secure the Large Adjustable Shelf in place with the 1/2" Screw (part P). As shown in detail #13.

23. Now attach the Male Pole Supports (part S) to the wall at your desired height, using two 1 1/2" Screws (part P1) through the holes of the Pole Supports into the wall. Use the Male Pole Support as template to mark two holes in the wall at your desired height, and use the anchors provided in case you required stronger support. As shown in detail #13A.

24. Now attach each Male Pole Support (part S) to the Wall using two 1 1/2" Screw (part P1) through the holes into the Anchors (part V) in the wall. Make sure the Support is fully against the wall. As shown in detail #13.

Please call for replacement parts or assistance: 1-800-765-5867

Whalen Storage Mfg. Inc

Factory # 6

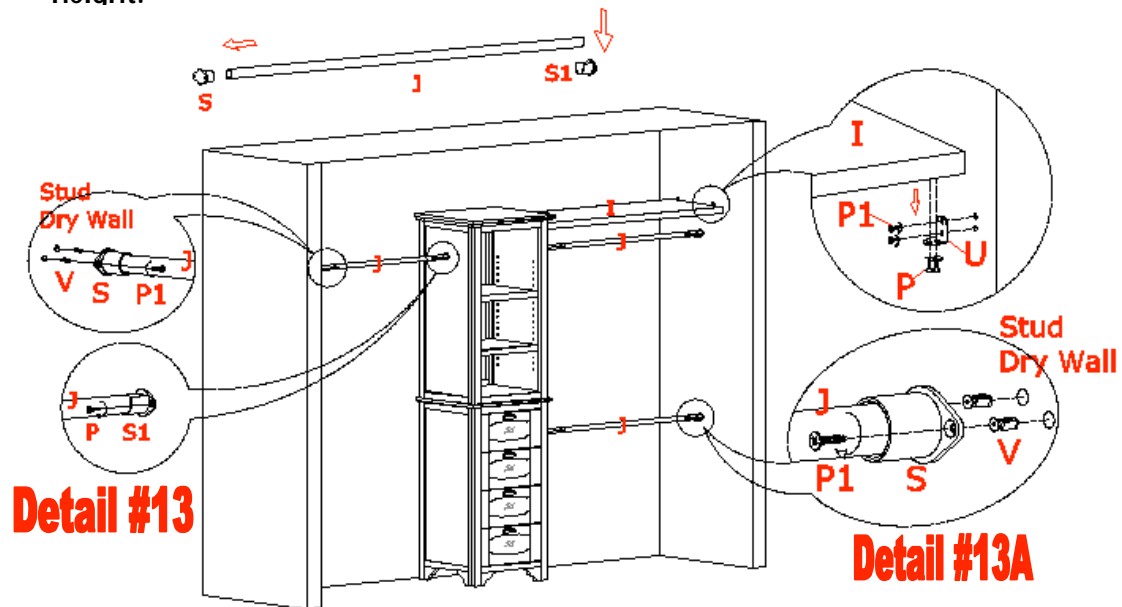
Page# 9

25. Using the Hang Pole (part J) as reference mount the Female Pole Support (part S1) at the side panel of the closet with the 1/2" Screws (part P), make sure the open cut of the Female Rod Support is point up. See detail #13.

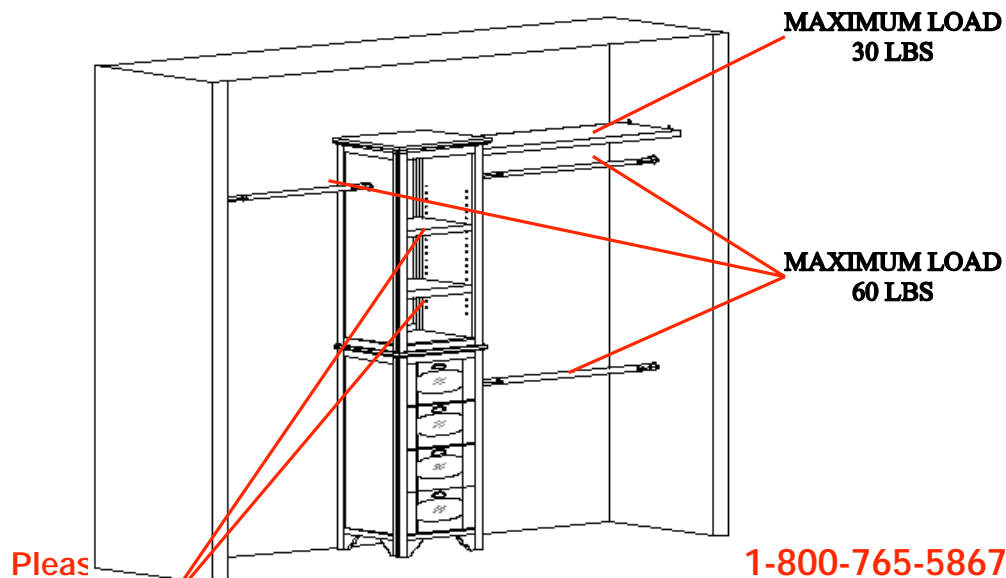
Assembly Instructions

26. Install the Hang Pole (part J) between two Pole Supports (part S & S1). See detail #13.

27. Repeat steps 23 through 26 to install the other two set Hang Poles at your desire height.



WARNING: Please don't use more than the maximum weights specified and follow all steps in order of this instruction sheet, to prevent any damage or failure of the unit.



MAXIMUM LOAD 30 LBS

Whalen Storage Mfg. Inc
Factory # 6
Page# 10

1-800-765-5867

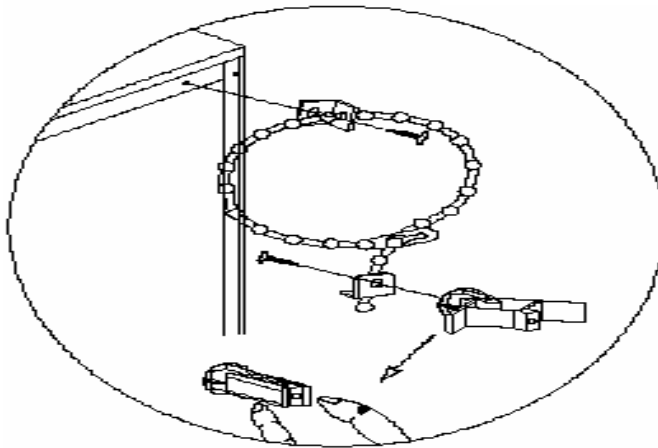
TIPPING RESTRAINT HARDWARE

Note: We have included one Tipping Restraint Hardware bag for this Unit.

When properly installed, this restraint can provide protection against the unexpected tipping of the Unit due to small tremors, bumps or climbing. We strongly recommend mounting this hardware to a wall stud and your Unit.

Please carefully read the instructions printed on the bag.

Note: You must install the Tipping Restraint Hardware with the unit in use to prevent any accidents or damage to the unit.



Your assembly should now be complete.
Thank you for your purchase.



Please call for replacement parts or assistance: **1-800-765-5867**

Whalen Storage Mfg. Inc

Factory # 6

Page# 11