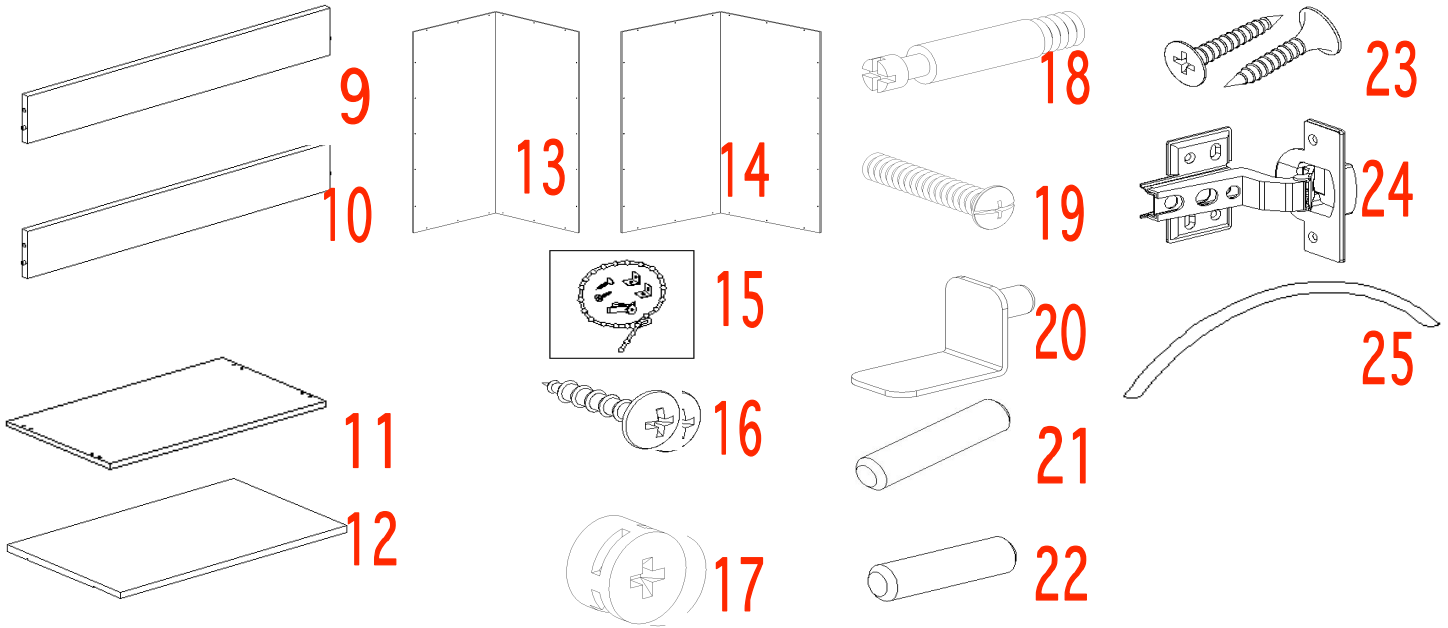
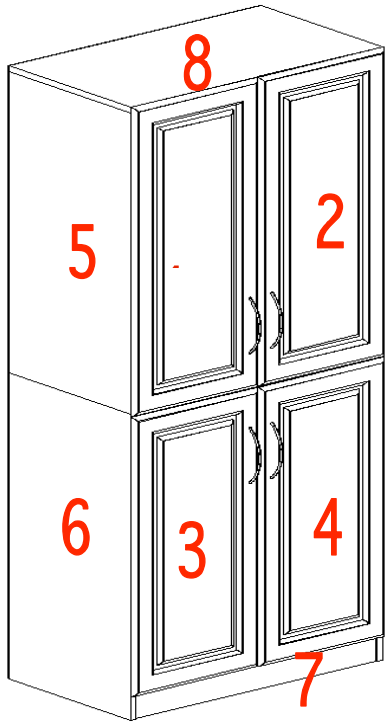


**IF YOU ARE REQUIRED TO ORDER PARTS PLEASE USE THE LIST BELOW**

**70" TALL WHITE 4 DOOR CABINET**



- WS-7030/4DC-W 1-DPUL
- WS-7030/4DC-W 2-DPUR
- WS-7030/4DC-W 3-DPLL
- WS-7030/4DC-W 4-DPLR
- WS-7030/4DC-W 5-SPUL
- WS-7030/4DC-W 5A-SPUR
- WS-7030/4DC-W 6-SPLL
- WS-7030/4DC-W 6A-SPLR
- WS-7030/4DC-W 7-FS
- WS-7030/4DC-W 8-TP
- WS-7030/4DC-W 9-RLS
- WS-7030/4DC-W 10-RUS
- WS-7030/4DC-W 11-BP
- WS-7030/4DC-W 12-AS
- WS-7030/4DC-W 13-UFBP

- Door Panel Upper Left
- Door Panel Upper Right
- Door Panel Lower Left
- Door Panel Lower Right
- Side Panel Upper Left
- Side Panel Upper Right (not shown)
- Side Panel Lower Left
- Side Panel Lower Right (not shown)
- Front Stretcher
- Top Panel
- Rear Lower Stretcher
- Rear Upper Stretcher
- Bottom Panel
- Adjustable Shelf
- Upper Folding Back Panel

- WS-7030/4DC-W 14-LFBP
- WS-7030/4DC-W 15-TRH
- WS-7030/4DC-W 16-RHS
- WS-7030/4DC-W 17-CL
- WS-7030/4DC-W 18-CB
- WS-7030/4DC-W 19-PHB
- WS-7030/4DC-W 20-SP
- WS-7030/4DC-W 21-LWD
- WS-7030/4DC-W 22-SWD
- WS-7030/4DC-W 23-SS
- WS-7030/4DC-W 24-EH
- WS-7030/4DC-W 25-H
- WS-7030/4DC-W 26-CH

- Lower Folding Back Panel
- Tipping Restraint Hardware
- Round Head Screw
- Cam Lock
- Cam Bolt
- Phil Head Bolt
- Shelf Pin
- Long Wood Dowel
- Short Wood Dowel
- Sunk Screw
- European Hinge
- Handle
- Complete Hardware