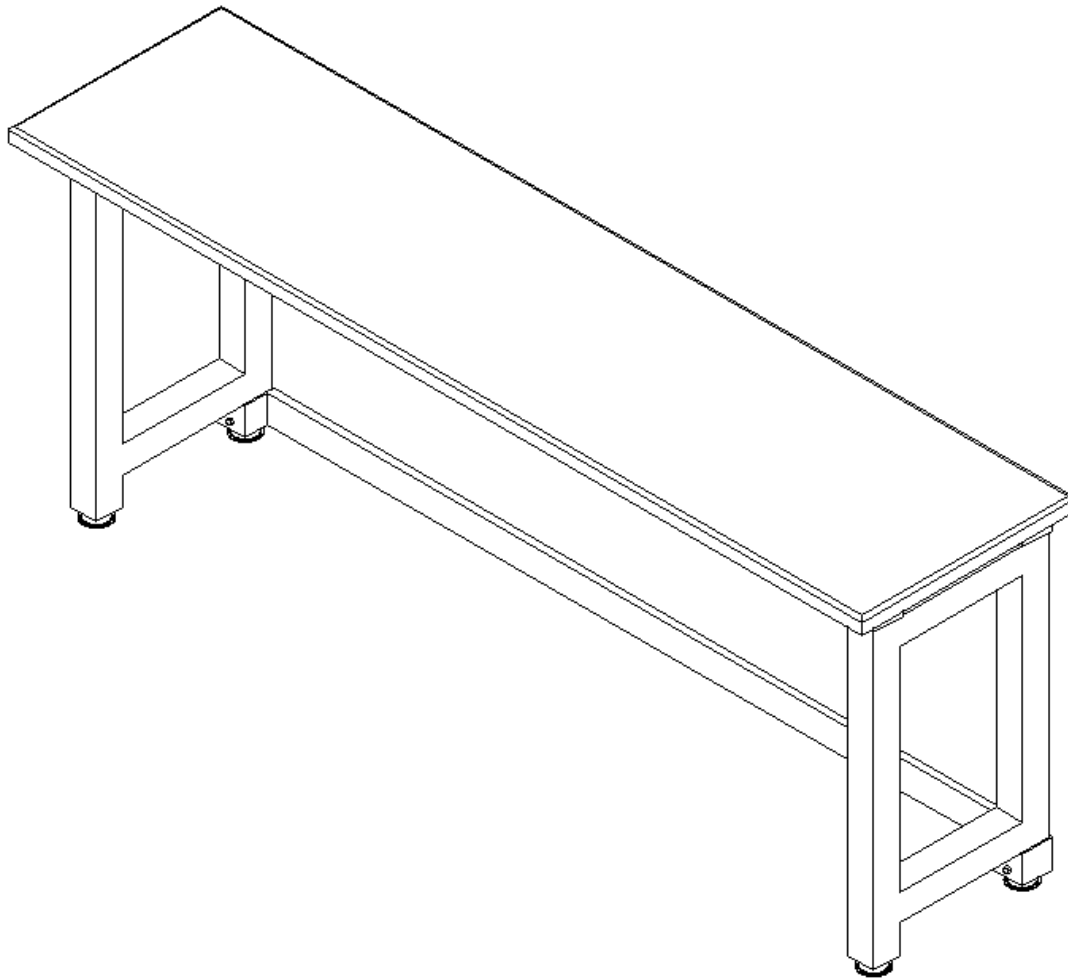


8 FOOT HARDWOOD WORKBENCH WSGS01WB



**“ADULT ASSEMBLY REQUIRED DUE TO THE PRESENCE OF
SMALL PARTS, SHARP POINTS, SHARP EDGES”**



Organize your life...

Please call for replacement parts or assistance: 1-866-942-5362

Pacific Standard Time: 8:30 am – 4:30 pm Monday to Friday

Or visit our web site www.whalenstorage.com

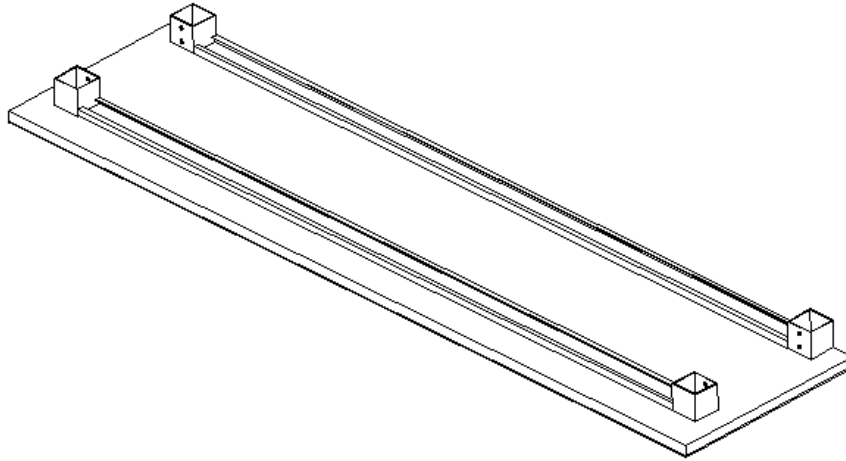
Whalen Storage

Factory # 11577

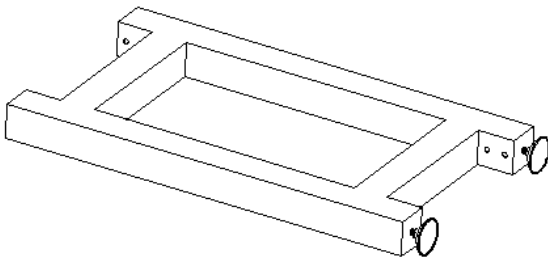
Page # 1

Parts List

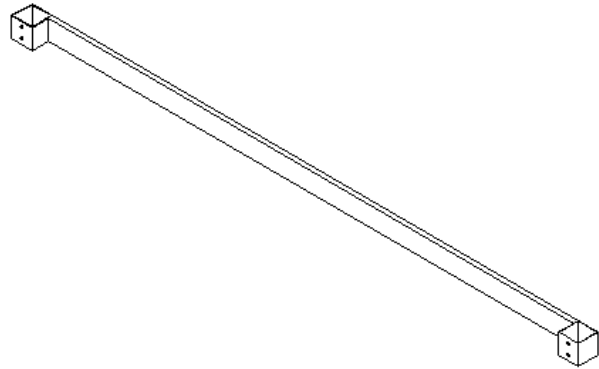
Please read completely through the instructions and verify that all parts listed are present before beginning assembly.



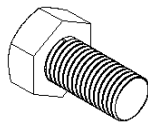
A- Top Panel (1-ea.)



B- Side Frame (2-ea.)



C- Cross Brace (1-ea.)



D- 5/8" Hex Bolt (12+ 1 extra)



Open Wrench

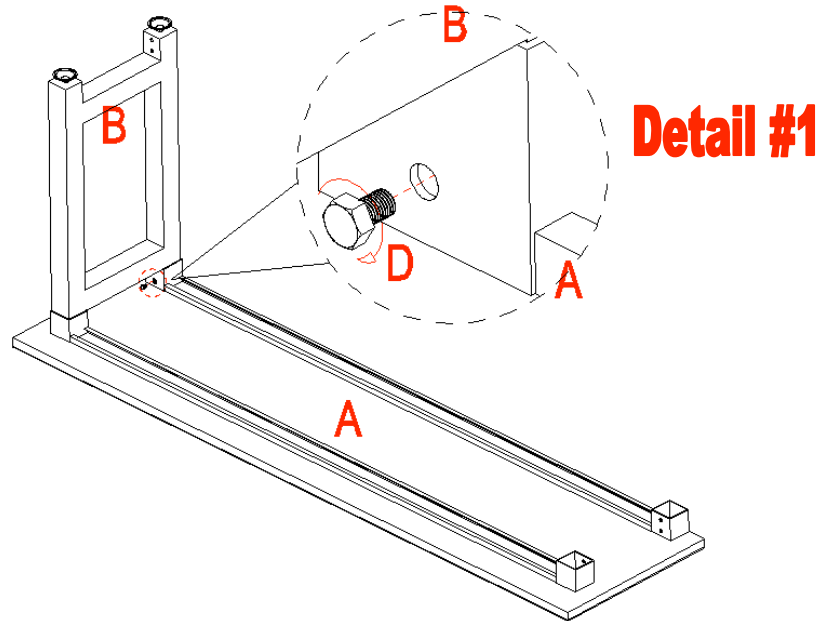
Tool Required: Open Wrench (provided).

Please call for replacement parts or assistance: 1-866-942-5362

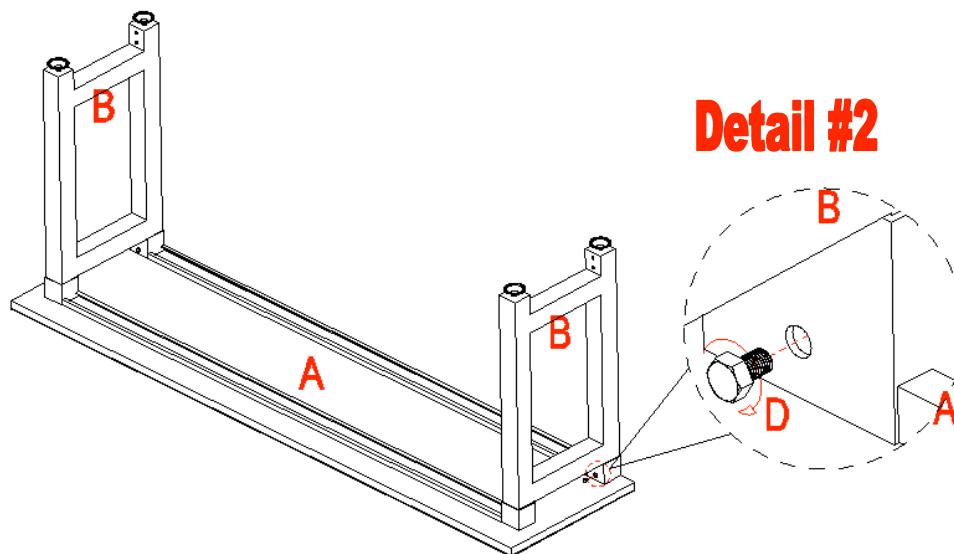
**Whalen Storage
Factory No. 11577
Page # 2**

Assembly Instructions

1. Unpack the unit and confirm that you have all the hardware and required parts listed.
2. Locate Top Panel (part A) and set top face down on a scratch free surface. As shown in detail #1. Make sure you will not scratch the top surface.
3. Now pick up one Side Frame (part B) and attach to the Top Panel (part A) by inserting the top section into the brackets of metal supports pre-attached under Top Panel, secure with four 5/8" Hex Bolts (part D) from inside, two bolts each post. See detail #1.



4. Repeat last step to attach the other Side Frame (part B) at other end. Make sure the threaded inserts on both Side Frames at the same side. As shown in detail #2.



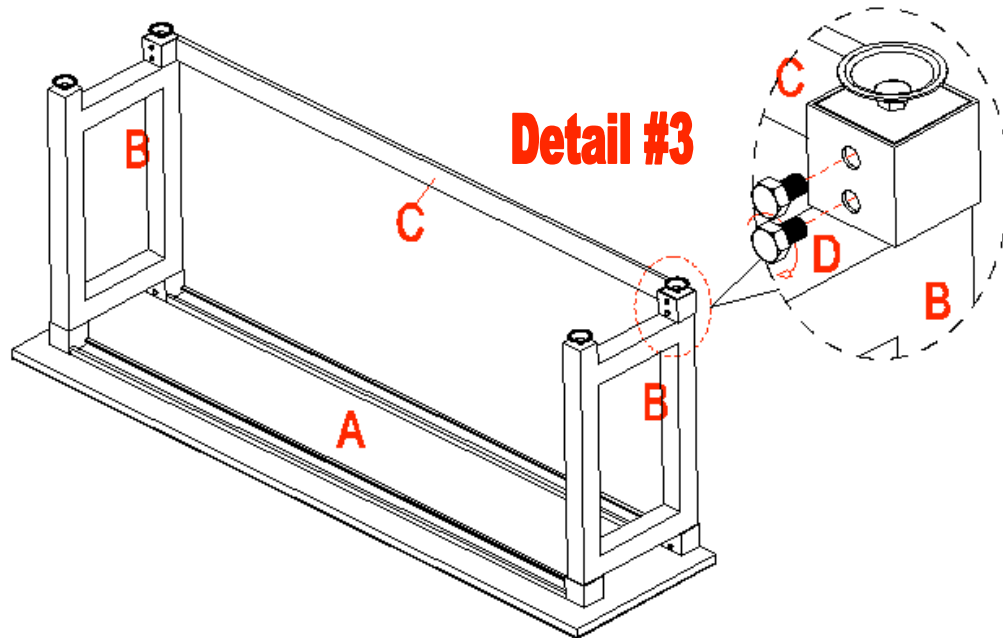
Please call for replacement parts or assistance: **1-866-942-5362**

Whalen Storage
Factory No. 11577

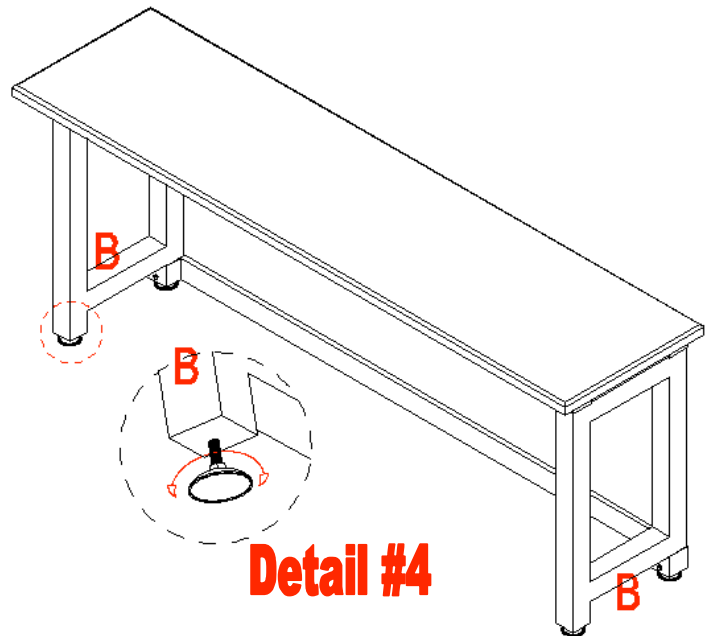
Page # 3

Assembly Instructions

- Attach the Cross Brace (part C) to both Side Frames (part B) by aligning the bracket holes with threaded inserts on Side Frames and securing with four 5/8" Hex Bolts (part D), two bolts each post. As shown in detail #3.



- Stand the unit upright.
- In case of uneven floor, you will find the leveler at the bottom of Side Frames (part B). Just tilt the unit back and raise or lower floor leveler by hand to correct tilting, until the unit is level. See detail #4.



Organize your life.

www.whalenstorage.com

"KEEP THESE INSTRUCTIONS FOR FUTURE REFERENCE."

Your assembly should now be complete.

Thank you for your purchase.

Please call for replacement parts or assistance: 1-866-942-5362

**Whalen Storage
Factory No. 11577**

Page # 4